

Bonded Washers



Bonded Washers

The Ceetak bonded washer is a rectangular section metal washer, with trapezoidal shaped sealing rubber, bonded to the inside.

They are used extensively for sealing under the heads of bolts in high pressure applications where copper washers would be unsuitable, and the self centralising feature offers additional benefits.

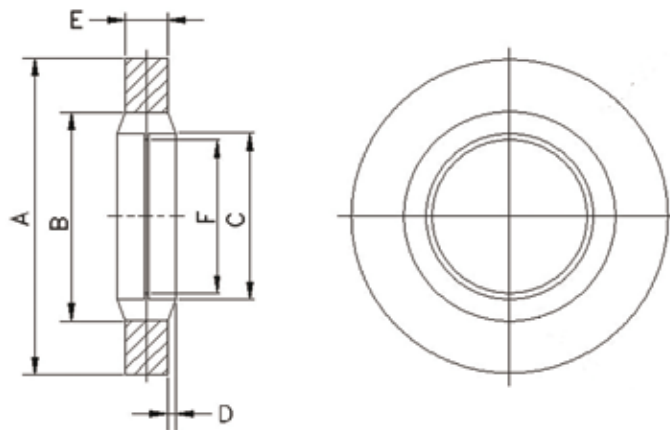
Both the washer and the rubber sealing element can be selected to suit a particular application with many different materials available.

The metal washer is available in coated mild steel, aluminium, bronze, stainless steel, light alloy and brass, while available elastomer compounds include NBR, EPDM, fluorocarbon and HNBR.

Benefits to customer

- Reduced assembly time
- Captive assembly
- Ease of installation
- Elimination of seal offset
- Elimination of leaks

SIZE		A	B	C	D	E	F	Min Burst Pressure (BAR)
BSP	BOLT	+0.13 -0.00	+0.10 -0.10	+0.10 -0.10	+0.10 -0.10	+0.15 -0.15	+0.20 -0.20	
1/8	3/8	15.88	11.84	10.37	0.40	2.03	8.56	1500
1/4	1/2	20.57	15.21	13.74	0.40	2.03	11.45	1550
3/8	-	23.80	18.75	17.28	0.40	2.03	14.96	1260
1/2	13/16	28.58	23.01	21.54	0.40	2.30	18.24	1150
3/4	1.00	34.93	28.53	27.05	0.40	2.30	24.13	1060
1	1 5/16	42.80	36.88	33.89	0.40	3.20	30.30	810
1 1/4	1 5/8	52.38	45.93	42.93	0.40	3.20	38.96	690
1 1/2	1 7/8	58.60	51.39	48.44	0.40	3.20	44.86	690
2	1 7/8	73.03	63.63	60.58	0.40	3.20	56.67	690



As a guide, the tolerances shown above apply to standard imperial size bonded washers. However both the German and French metric size ranges are also available upon request.



Ceetak Ltd Head Office:
Fraser Road, Priory Business Park,
Bedford, MK44 3WH
Tel: 01234 832200
Fax: 01234 832299

Web: www.ceetak.com
Email: info@ceetak.com

Ceetak Aberdeen:
Block 1, Unit 13,
Souterhead Rd,
Altens Industrial Estate,
Aberdeen, AB12 3LF
Tel: 01224 249690
Fax: 01224 249691