

High-current cable C-HF-xx ^{GB}

Datasheet



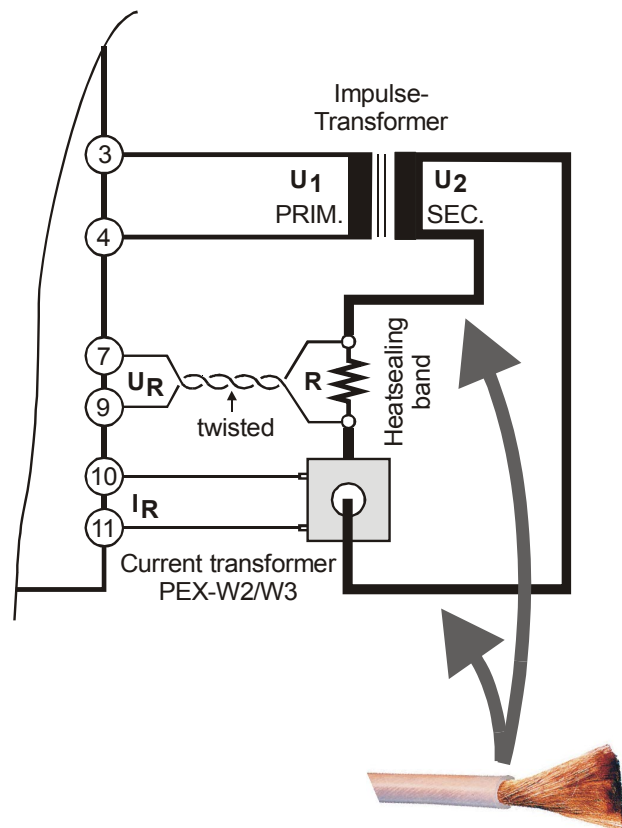
Correct and proper wiring of the system is an essential precondition of trouble-free operation in heatsealing applications with RESISTRON/CIRUS temperature controllers.

We support our customers by offering a specially designed high-flexible high-current cable in conjunction with RESISTRON/CIRUS temperature controllers.

Specification

- Conductor cross-section:
 - C-HF-04: 4mm²
 - C-HF-06: 6mm²
 - C-HF-10: 10mm²
 - C-HF-16: 16mm²
 - C-HF-25: 25mm²
- Outer diameter:
 - C-HF-04: ca. 5.4mm
 - C-HF-06: ca. 6.2mm
 - C-HF-10: ca. 9.0mm
 - C-HF-16: ca. 10.5mm
 - C-HF-25: ca. 11.8mm
- Bending radius, free moving:
 - Min. 4.0 x Outer diameter
- Cable jacket: Silicone
- Latex free
- Temperature range -50...+90 °C
- NO tray cable

This specification ensures that the C-HF-xx high-flexible high-current cable meets all requirements stipulated for modern, heavy-duty machines.



How to order



High-current cable C-HF-xx, high-flexible

C-HF-04	(Conductor cross-section: 4 mm ²)	Art. No. 884272
C-HF-06	(Conductor cross-section: 6 mm ²)	Art. No. 884271
C-HF-10	(Conductor cross-section: 10 mm ²)	Art. No. 884270
C-HF-16	(Conductor cross-section: 16 mm ²)	Art. No. 884269
C-HF-25	(Conductor cross-section: 25 mm ²)	Art. No. 884268